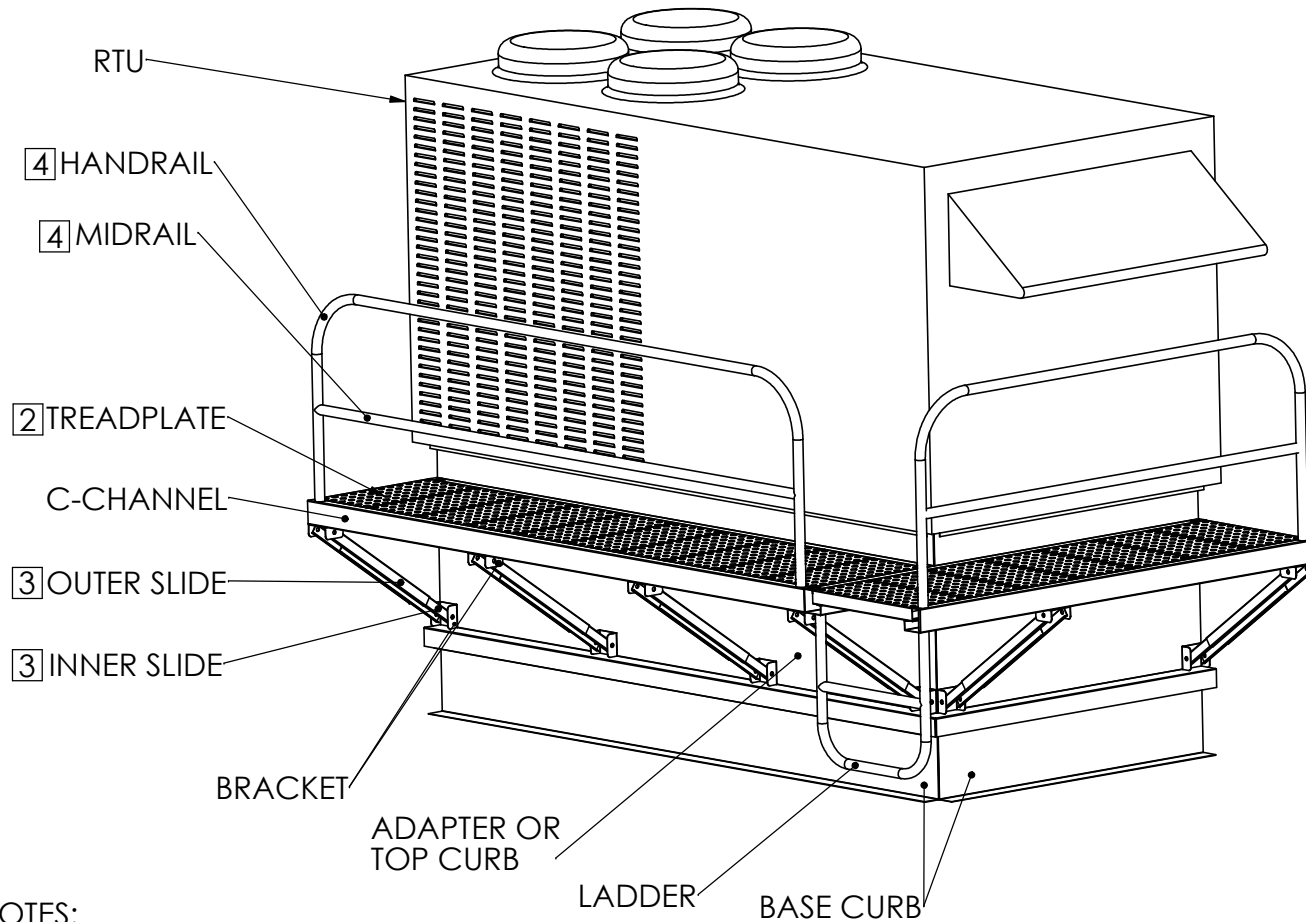


CATWALK DESIGN AND AVAILABLE OPTIONS



NOTES:

1. 14 GAUGE BOLT-ON CONSTRUCTION.
2. 36" STANDARD TREADPLATE WIDTH. OPTIONAL SIZES AVAILABLE.
3. FULLY ADJUSTABLE SLIDES TO MOUNT IN MULTIPLE LOCATIONS.
4. 40" TALL HANDRAIL (S) WITH 20" MIDRAIL (S) AND LADDER (S) ATTACHED TO C-CHANNEL.
5. OPTIONAL CLOVER PATTERN SCREEN CAN BE ATTACHED TO CATWALK OR TO SCREEN IN UNIT.



L-SHAPE CATWALK



FULL PERIMETER CATWALK



SINGLE SIDE CATWALK



SHEET NO. : _____
 COMPANY : _____
 APPROVAL : _____
 P.O. NUMBER : _____

DATE : 12/09 R. 1/10
 PROJECT : _____
 ARCHITECT : _____
 ENGINEER : BAK

MGM PRODUCTS, INC.
 1080 CULPEPPER DRIVE CONYERS, GA. 30094
 PHONE : 770-483-0055 800-341-3536 FAX : 770-483-0130