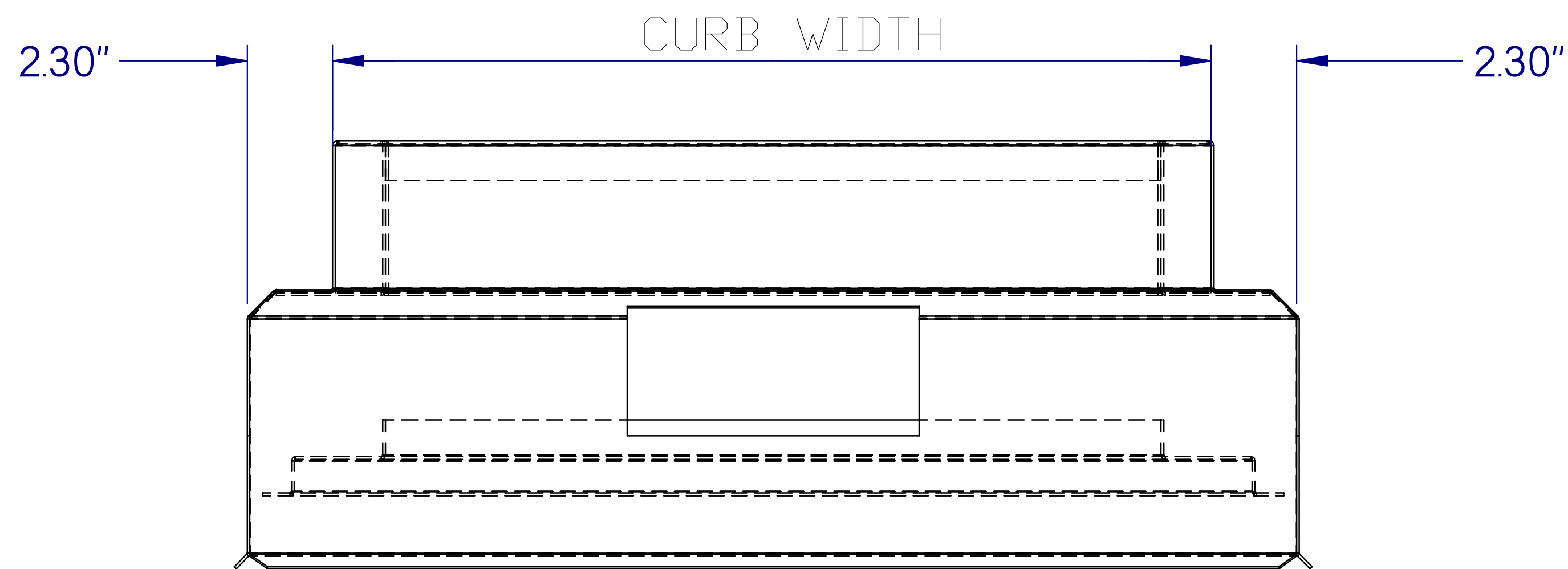
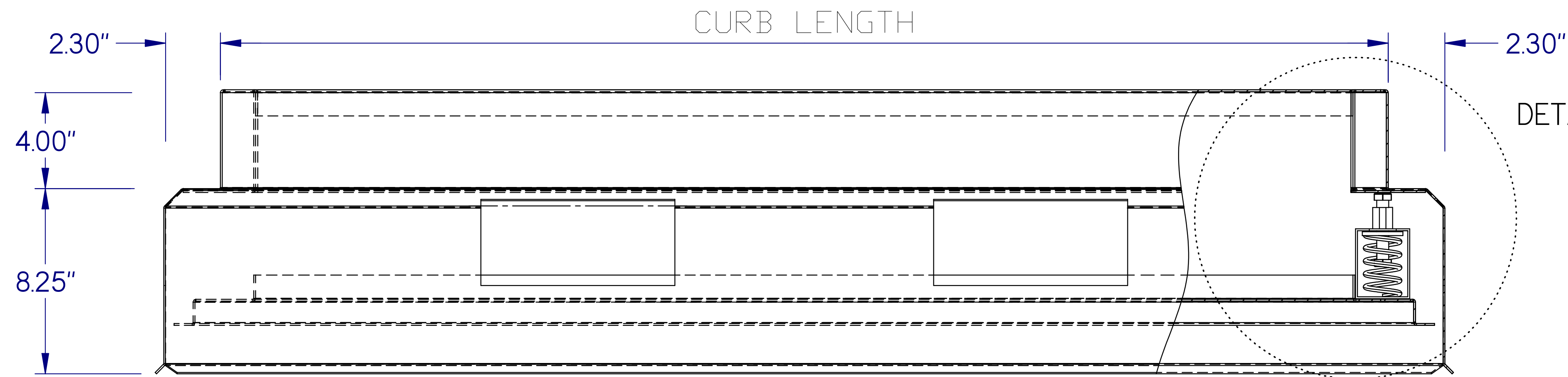
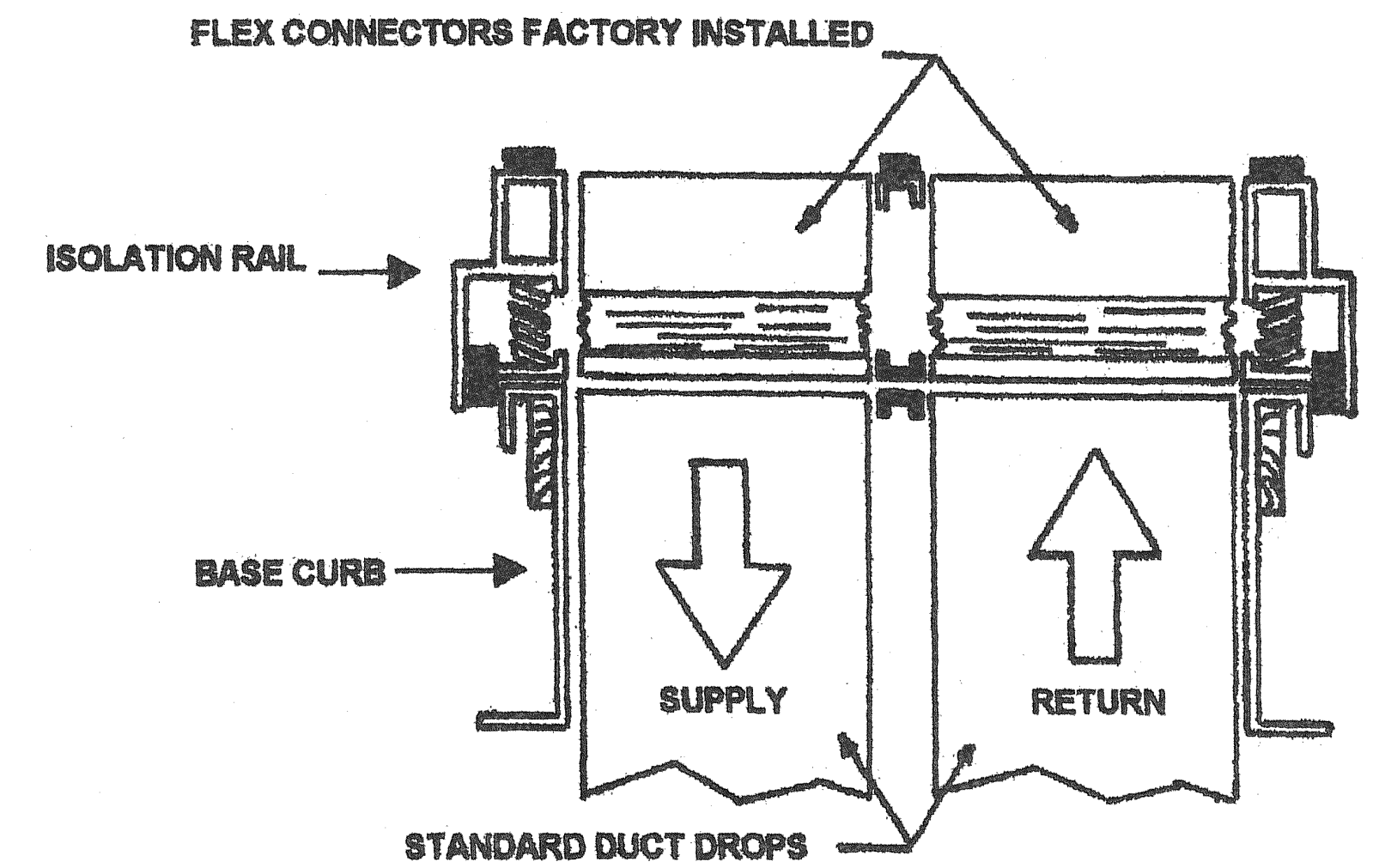


ADJUSTABLE VIBRATION ISOLATION RAILS

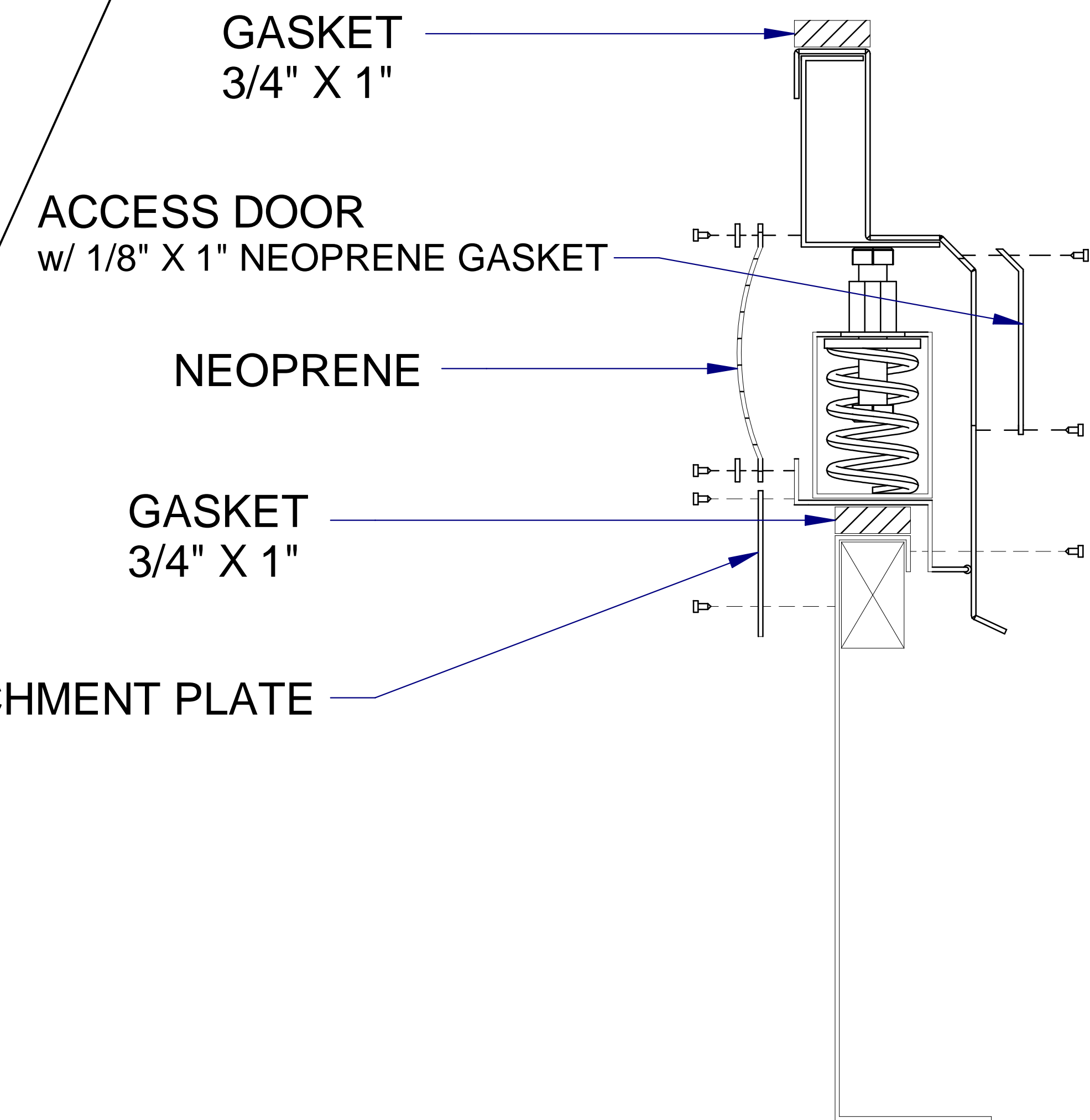
STANDARD FEATURES:

- Minimum 14 gauge, G-90 Galvanized Steel
- Spring Isolators are selected to provide a Standard 1" Deflection with a built in 50% overload capacity. High deflection range and overload capacities can be achieved as required.
- Spring Isolators are mounted to "Z" base-rail within a fully enclosed housing providing lateral stability.
- Weather tight removable panels are provided at each spring location for access to adjustment and spring replacement.
- All Welds Sealed with Cold Galvanizing.
- Supply and Return flexible Duct Connections are provided within the isolation section.
- Outer skirt of the Isolation rail is all steel and extends a minimum of 1" beyond the bottom "Z" rail to provide positive water run-off.
- An internal bulb seal rides on the inside of the weather skirt to create an air tight enclosure and additional lateral stability.
- Isolation Rails come fully assembled.



DETAIL "A"

DETAIL "A" w/ BASE CURB



SHEET NO. : _____
 COMPANY : _____
 APPROVAL : _____
 P.O. NUMBER : _____

DATE : 11/2010
 PROJECT : _____
 ARCHITECT : _____
 ENGINEER : A.B.

MGM PRODUCTS, INC.
 1080 CULPEPPER DRIVE CONYERS, GA. 30094
 PHONE : 770-483-0055 800-341-3536 FAX : 770-483-0130